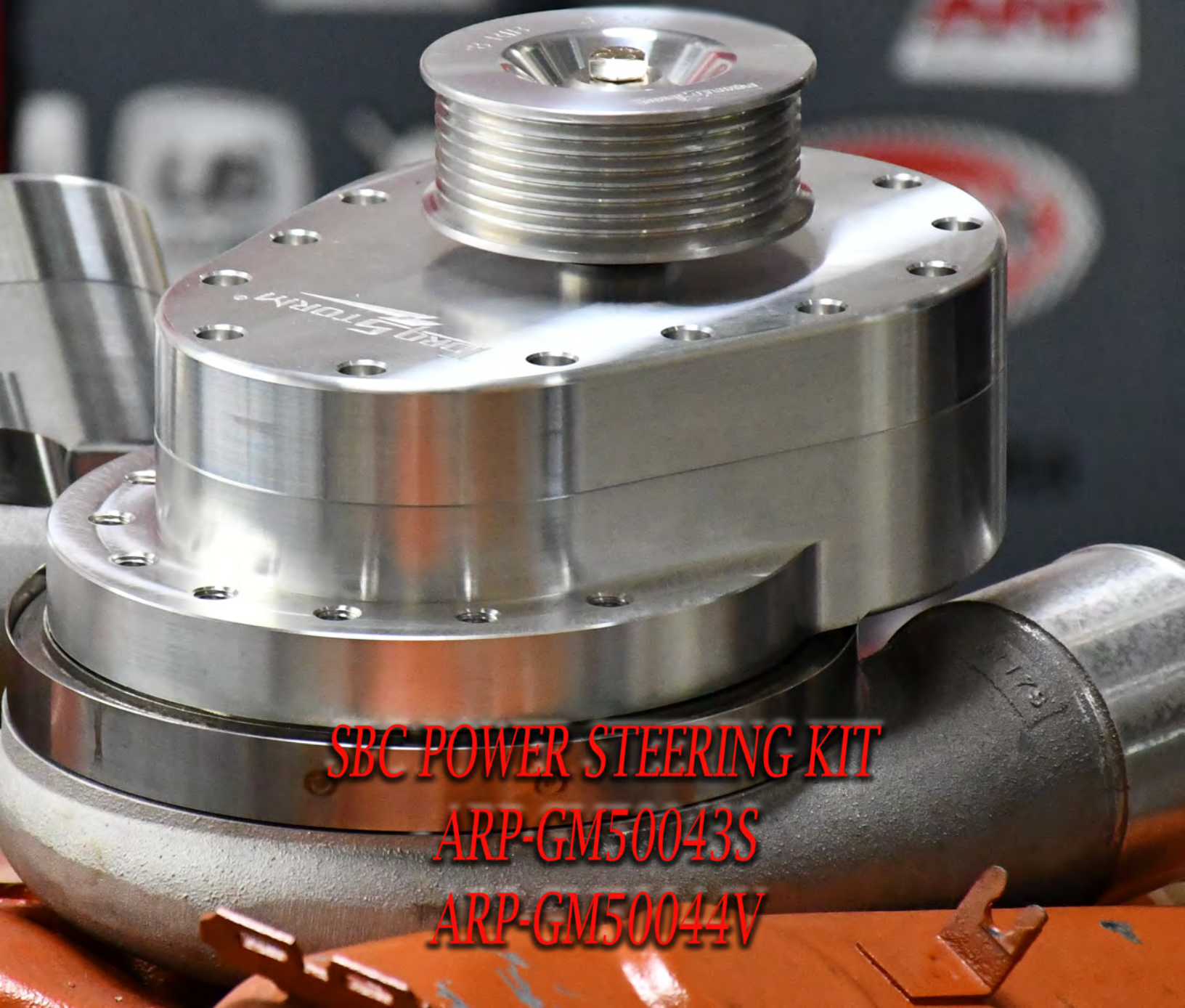


# TORQ STORM<sup>®</sup>

BILLET SUPERCHARGERS



SBC POWER STEERING KIT  
ARP-GM50043S  
ARP-GM50044V

*Installation Instructions*  
*SBC POWER STEERING KIT*  
*ARP-GM50043S*  
*ARP-GM50044V*



## *STEP 1*

Mount the first plate to the block  
using (2) 3/8-16 x 3/4" bolts.

*Torque to 29 ft lbs*



## *STEP 2*

Mount the second plate with the  
3/8-16 x 1.25" bolt from the back side.

*Leave loose until after belt is installed.*



# *Installation Instructions*

## *SBC POWER STEERING KIT*

### *ARP-GM50043S*

### *ARP-GM50044V*



## **STEP 3**

*Mount the power steering pump to the second bracket. The longer of the 5/16 bolts will go in the top. Tighten the bottom one to 17 ft lbs. Leaving the top just snug until the belt is on and tightened.*



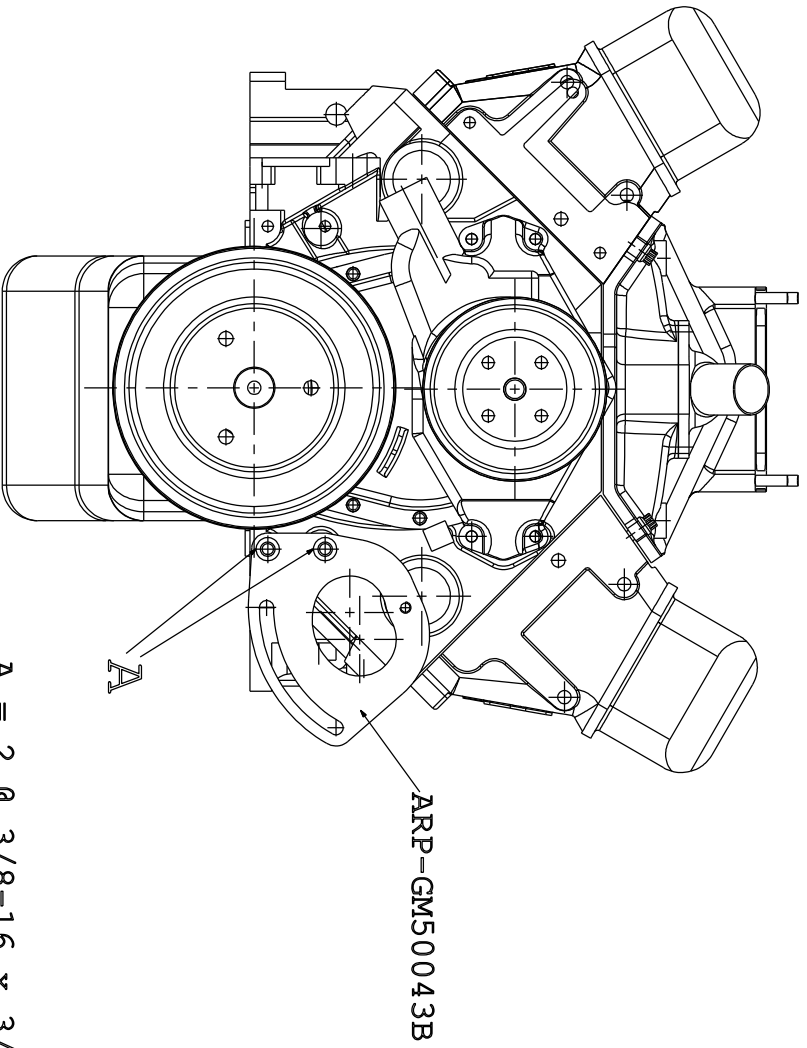
## **STEP 4**

*Install belt and pull bracket over to tension the belt using a 3/8 ratchet. Torque the upper 5/16 bolt to 17 ft lbs. And Torque the 3/8 flange bolt on the backside to 29 ft lbs while also keeping the belt tight.*



# 1

\* MOUNT ARP-GM50043B TO ENGINE \*



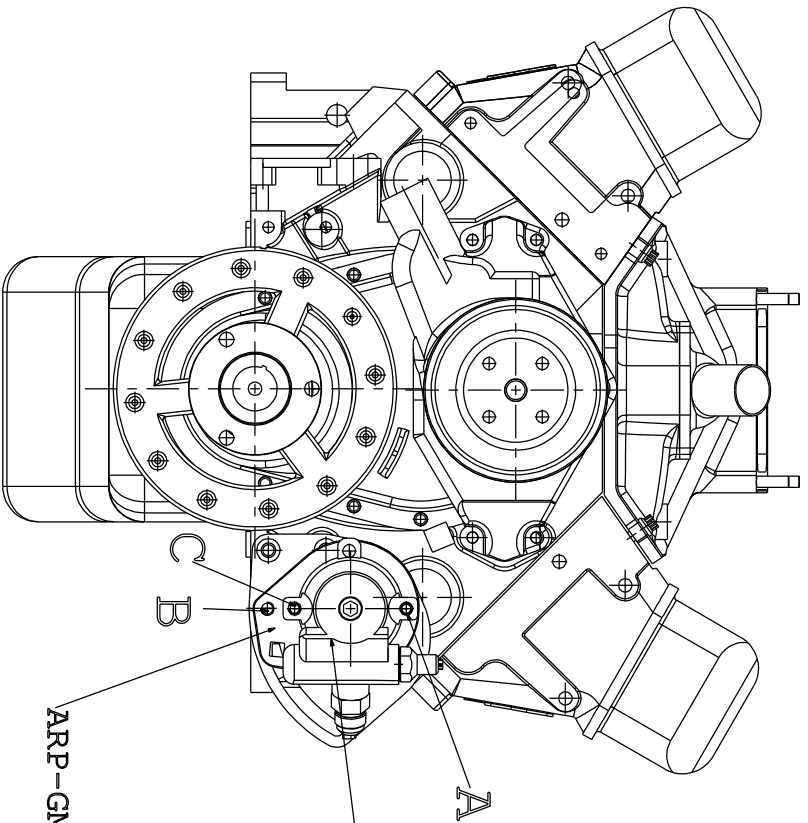
A = 2 @ 3/8-16 x 3/4 SS SHCS

Manufacture  
6 RIB PS BRACKET LAYOUT  
Part #  
ARP-GM50043S

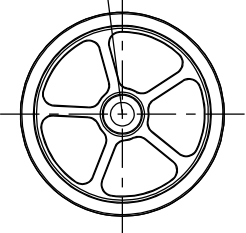
TORO STORM<sup>®</sup>  
BILLET SUPERCHARGERS

# 2

MOUNT ARP-GM10043A TO ARP-GM50043B  
MOUNT POWER STEERING PUMP TO ARP-GM50043A



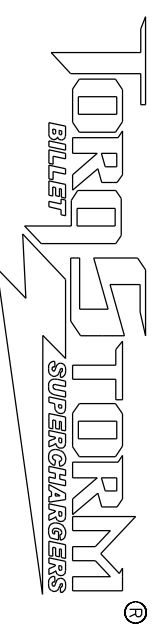
ARP-GM50043A



\* SHOWN WITHOUT \*  
ARP-50014 PULLEY

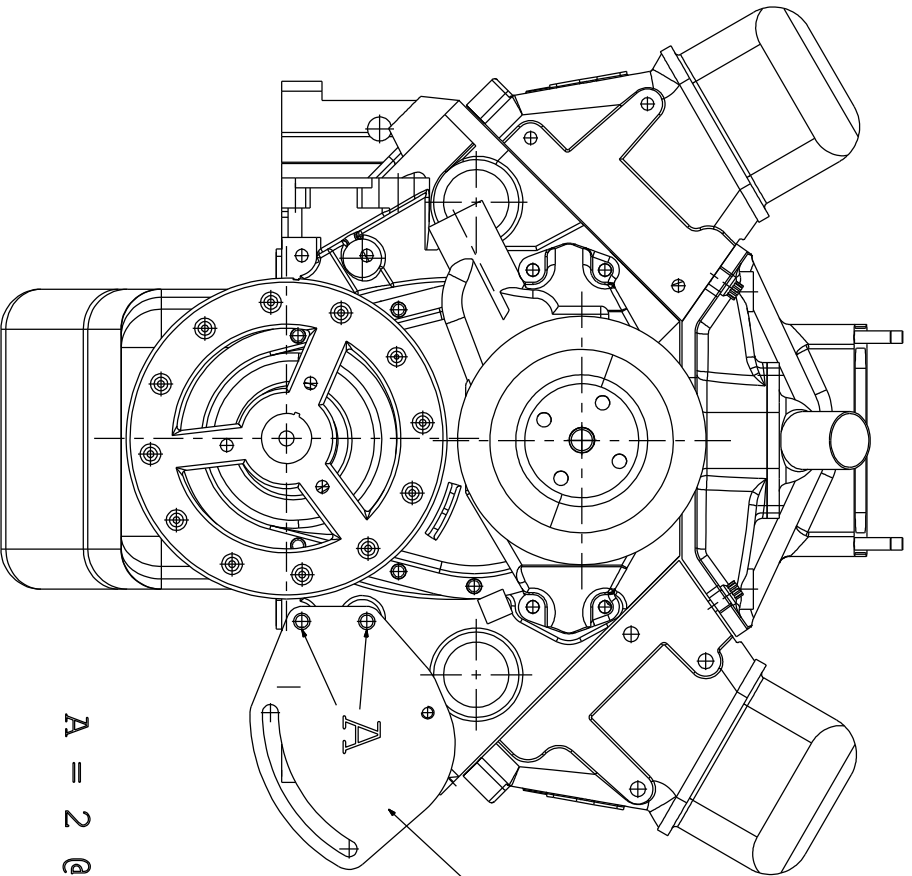
- A = 1 @ 5/16-18 x 3-3/4 SS SHCS & WASHER
- B = 1 @ 3/8-16 x 1.0 SS SHCS OR FHS???????
- C = 1 @ 5/16-18 x 2-3/4 SS SHCS & WASHER

Manufacture	6 RIB PS BRACKET LAYOUT
Part #	ARP-GM50043S



# 1

\*MOUNT ARP-GM50044B TO ENGINE\*

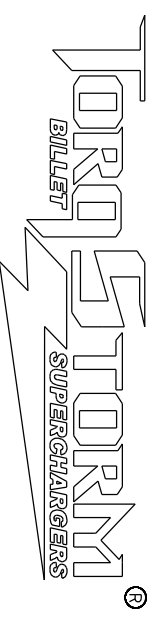


ARP-GM50044-B

A = 2 @ 3/8-16 x 3/4 SS SHCS AND WASHERS

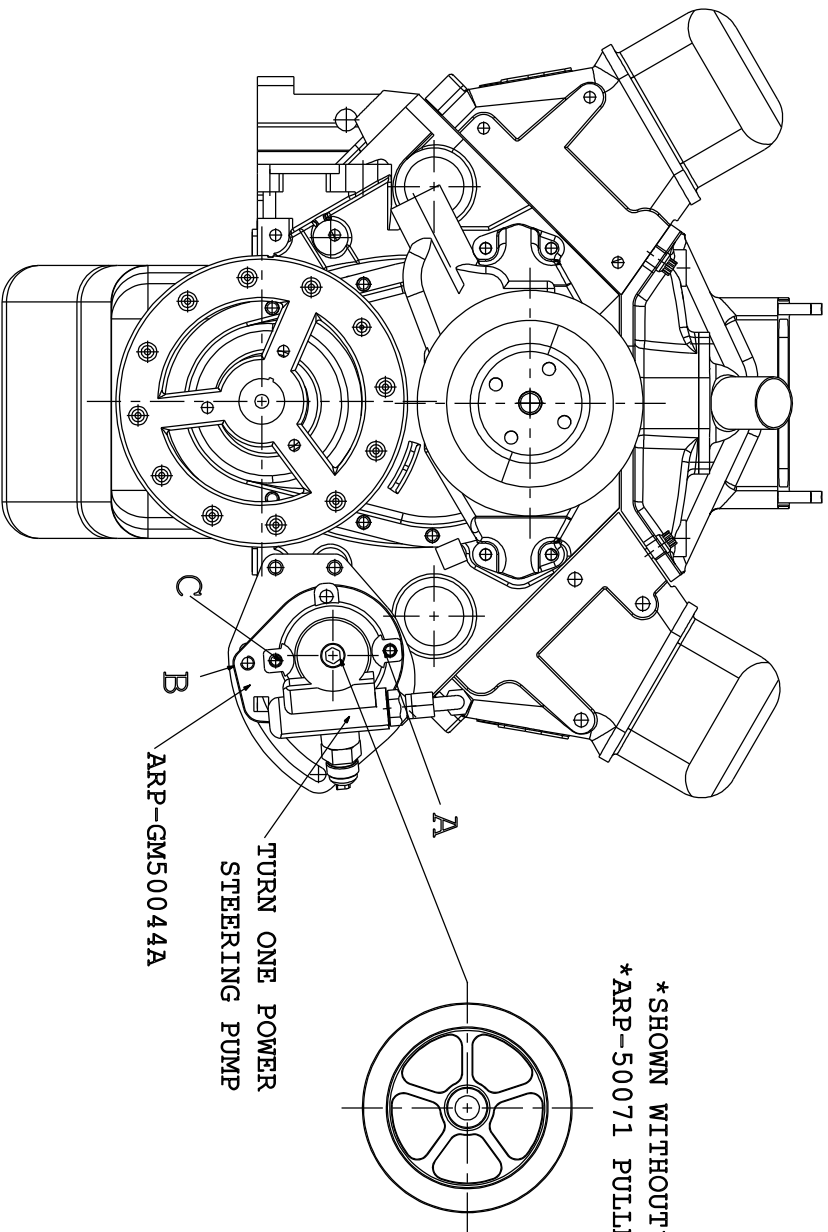
Manufacture  
V-BELT POWER STEERING LAYOUT

Part #  
ARP-GM50044V



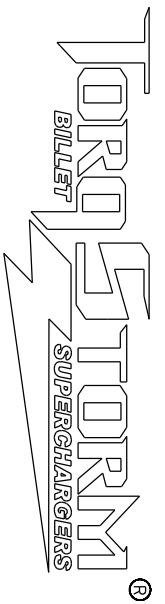
# 2

\*MOUNT ARP-GM50044A TO ARP-GM50044B\*  
\*MOUNT POWER STEERING PUMP TO ARP-GM40044A\*



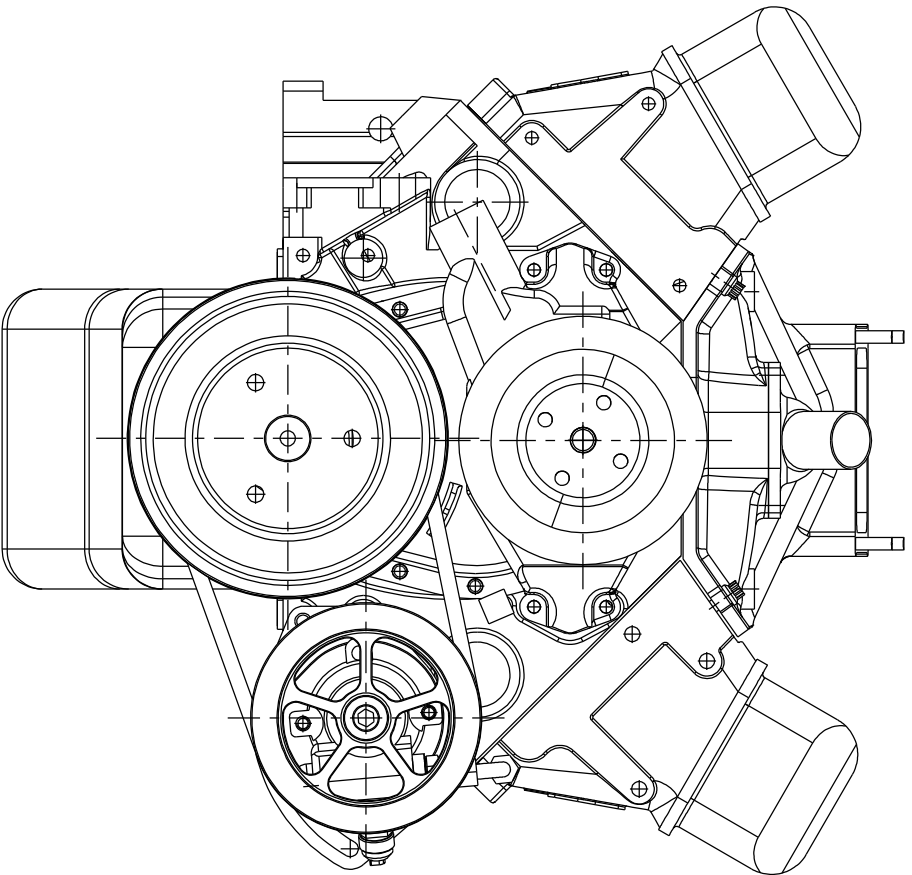
- A = 1 @ 5/16-18 x 3-1/2 SS SHCS & WASHER
- B = 1 @ 3/8-16 x 1.0 SS SHCS OR FHS???????
- C = 1 @ 5/16-18 x 3.0 SS SHCS & WASHER

DESCRIPTION  
V-BELT POWER STEERING LAYOUT  
PART #  
ARP-GM50044V



# 3

BELT ROUTING



USES V BELT - DAYCO 15345

GATES 7345

Manufacture  
V-BELT ROUTING

Part #  
ARP-GM50044V

