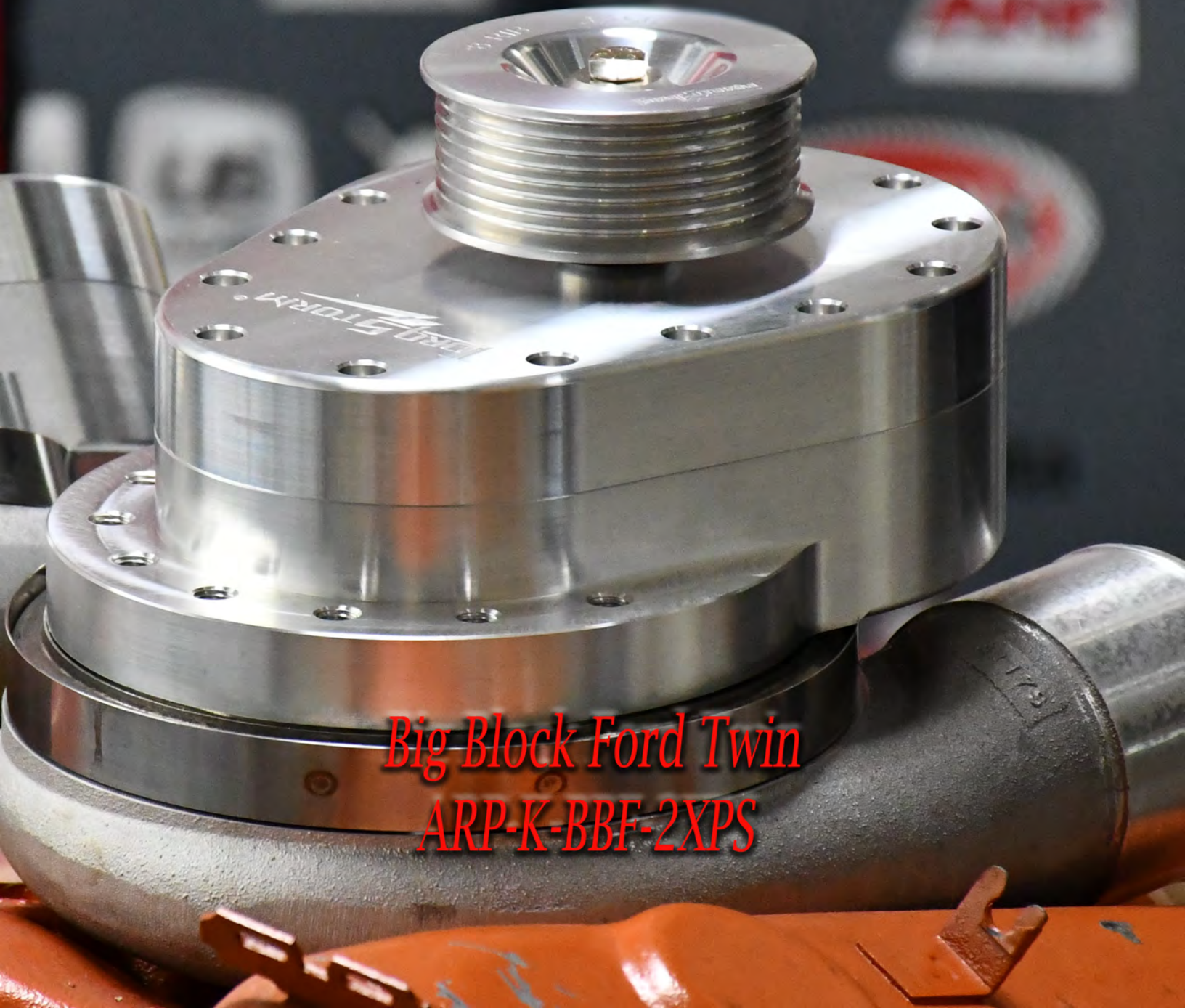


# TORQ STORM<sup>®</sup>

BILLET SUPERCHARGERS



Big Block Ford Twin  
ARP-K-BBF-2XPS



# Installation Instructions

## BBF Twin supercharger kit

### ARP-K-BBF2XPS



## STEP 1

Mount the supercharger head bracket ARP-FD10049 (drivers side) using (2) 7/16-14 x 3/4 bolts. **Torque to 29 ft. lbs.**



## STEP 2

Mount the supercharger head bracket ARP-FD10031 (Passenger side) with (1) 3/8-16 x 1.0 and (1) 7/16-14 x 1.0 bolts. **Torque to 29 ft. lbs.**



# Installation Instructions

## BBF Twin supercharger kit

### ARP-K-BBF2XPS



## STEP 3

Mount the waterpump pulley  
ARP-FD50015 using (4)  
5/16 -24 x 3/4 bolts and AN  
washers.

*Torque to 29 ft. lbs.*



## STEP 4

Mount the crank pulley  
ARP-FD68019 using (4)  
3/8-16 x 1.0 bolts and AN  
washers.

*Torque to 29 ft. lbs*





# Installation Instructions

## BBF Twin supercharger kit

### ARP-K-BBF2XPS



## STEP 5

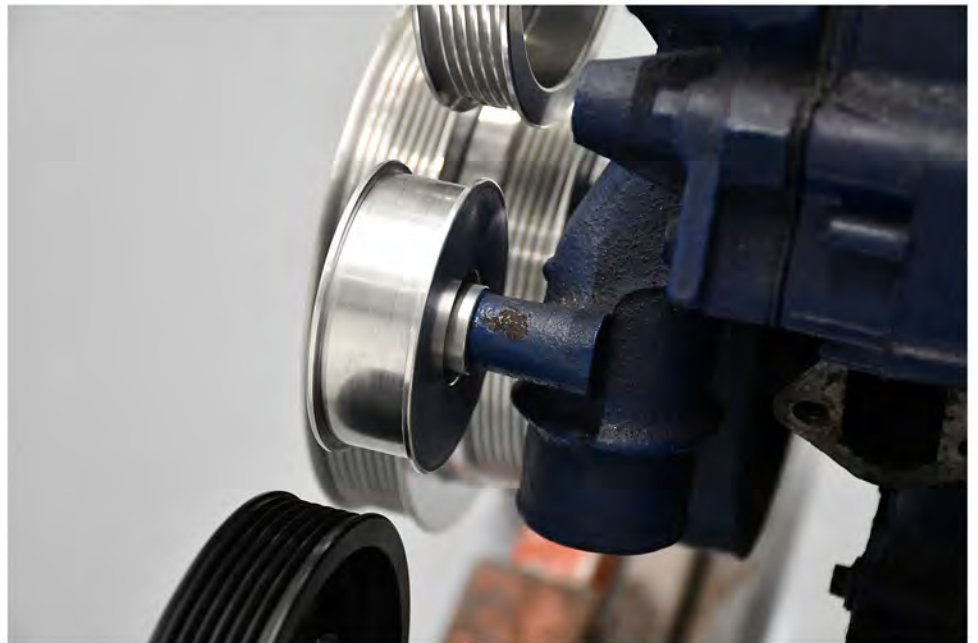
Mount the idler pulley

ARP-50001-N and spacer

ARP-S-0650 with (1)

3/8-16 x 1.75 bolt and special  
washer.

*Torque to 29 ft. lbs.*



# Installation Instructions

## BBF Twin supercharger kit

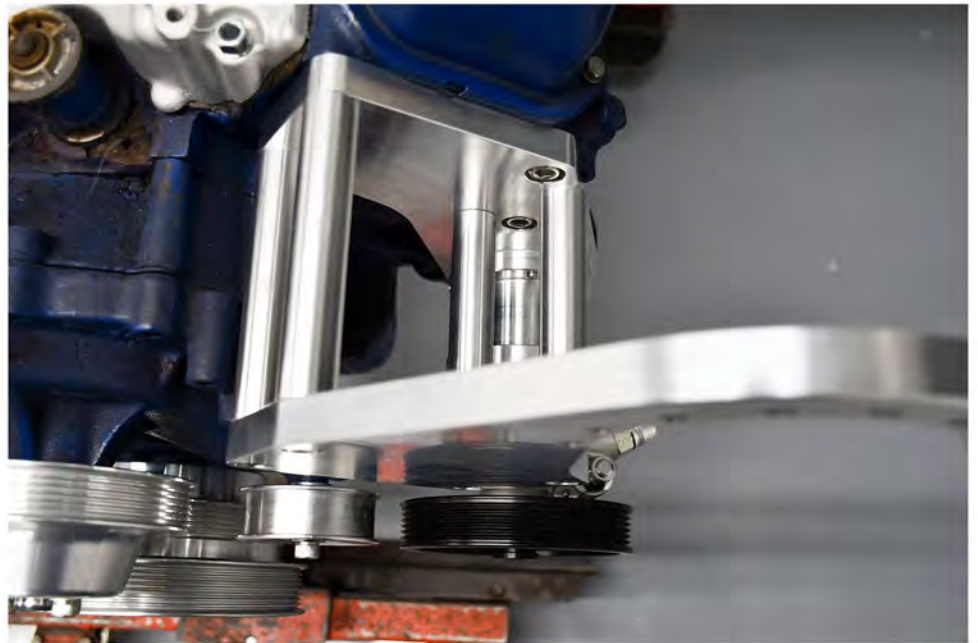
### ARP-K-BBF2XPS



## STEP 6

Install the supercharger bracket ARP-FD10016 (drivers side) and (4) ARP-S-100-5275 spacers. (2) 3/8-16 x 7.0 bolts on the top left, and (2) 3/8-16 x 6.0 on the lower right.

*Torque to 29 ft. lbs*





# Installation Instructions

## BBF Twin supercharger kit

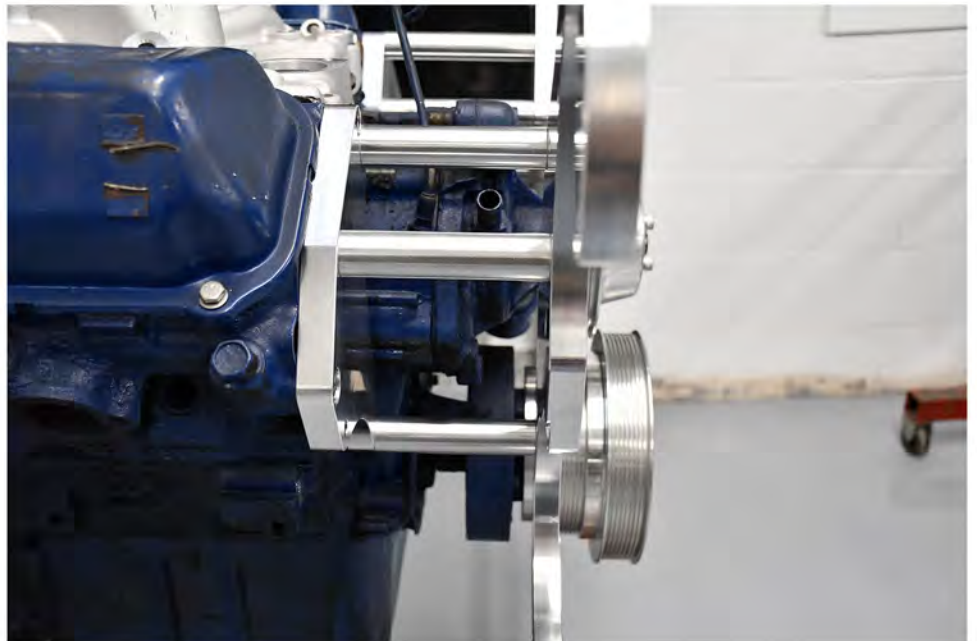
### ARP-K-BBF2XPS



## STEP 7

Install the supercharger bracket ARP-FD10037 and (3) ARP-S-100-4285 spacers with (3) 3/8-16 x 5.0 bolts. And (1) ARP-S-100-1600 spacer with (1) 5/16-18 x 6.0 bolt.

*Leave hand tight for now*



# Installation Instructions

## BBF Twin supercharger kit

### ARP-K-BBF2XPS

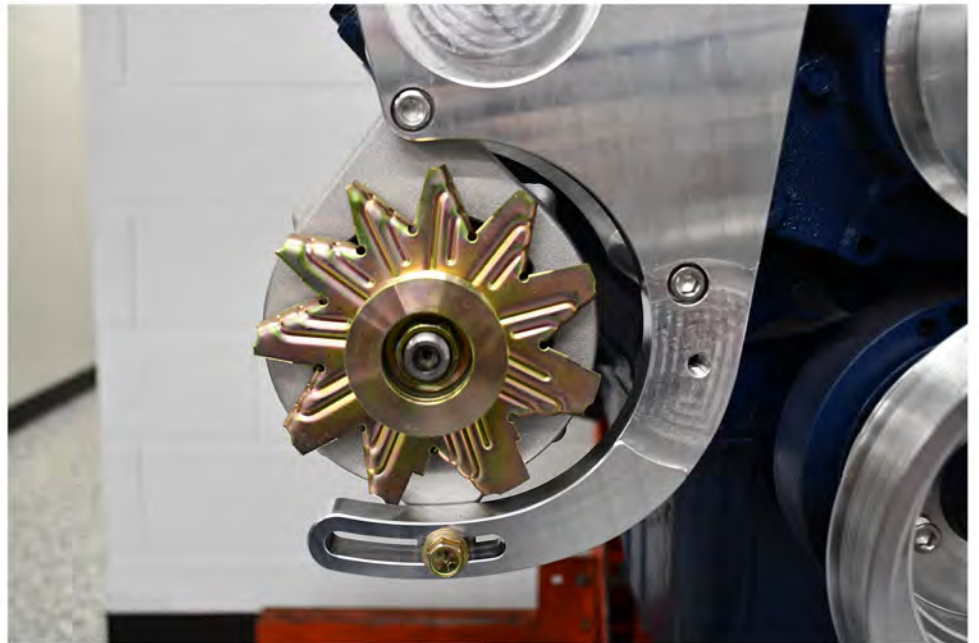
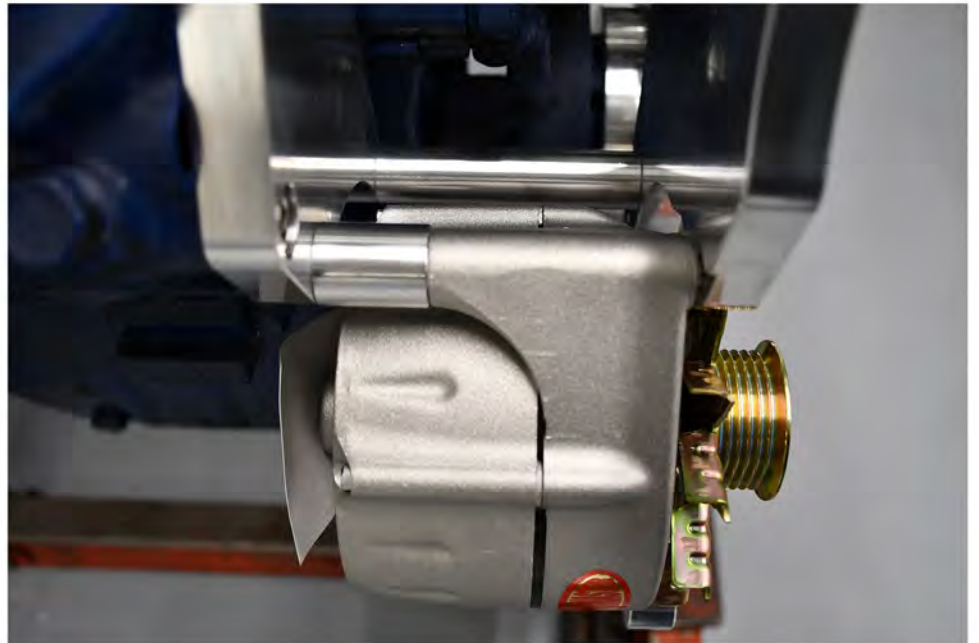


## STEP 8

Install alternator and (1)  
ARP-S-100-1375 spacer with  
(1) 3/8-16 x 6.0 bolt.

*Torque all 4 mounting bolts  
to 29 ft. lbs*

Install alternator adjustment  
bolt in lower slot.





# Installation Instructions

## BBF Twin supercharger kit

### ARP-K-BBF2XPS



## STEP 9

Install tensioner #89209 onto supercharger bracket.

*Torque nut on back to 29 ft. lbs*



## STEP 10

Install idler pulley ARP-50001-N and spacer ARP-IS-0525 with (1) 3/8-16 x 1.75 bolt and special washer.

*Torque to 29 ft. lbs*





*Installation Instructions*  
*BBF Twin supercharger kit*  
*ARP-K-BBF2XPS*



## *STEP 11*

*Install power steering hub  
ARP-FD50064 with (2)  
5/16-18 x 1.0 bolts from the  
backside. Then install PS pump  
with (2) 5/16-18 x 2-3/4 bolts.*

*Torque to 19 ft. lbs*



# Installation Instructions

## BBF Twin supercharger kit

### ARP-K-BBF2XPS

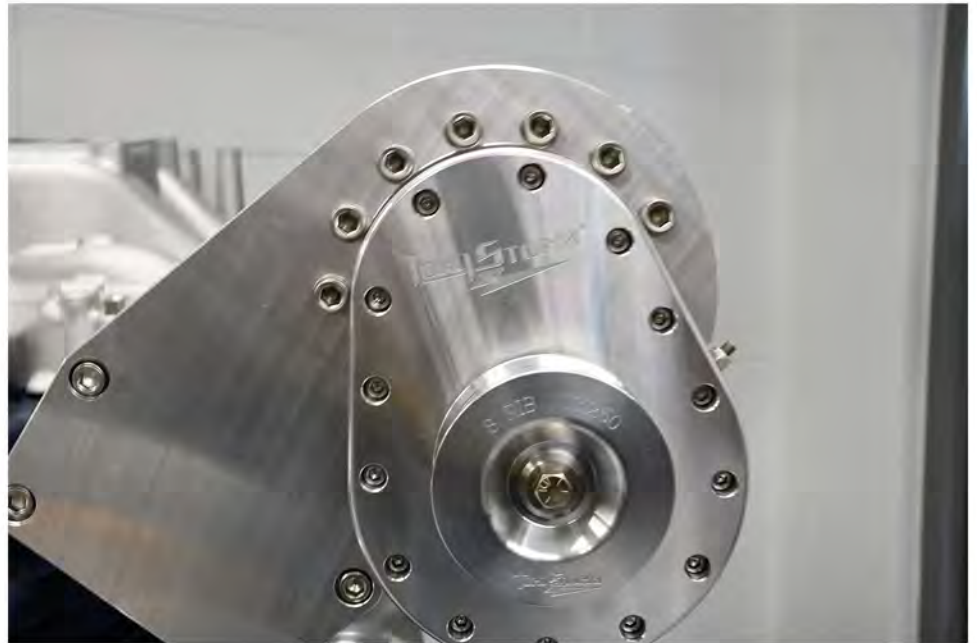


## STEP 12

Adjust the supercharger outlet for plumbing alignment prior to mounting on bracket.

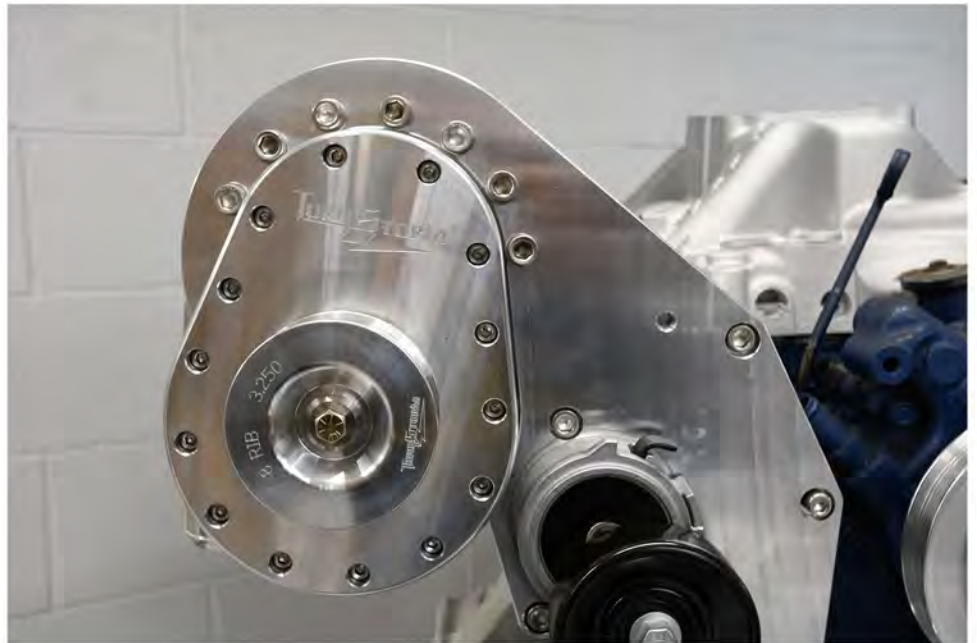
Loosen the v-band clamp to move and

**re-tighten to 75-in. lbs.**



Mount the superchargers to the brackets using (7) 3/8-16 x 1.25 and AN washers on each side.

**Torque to 29 ft. lbs.**





# Installation Instructions

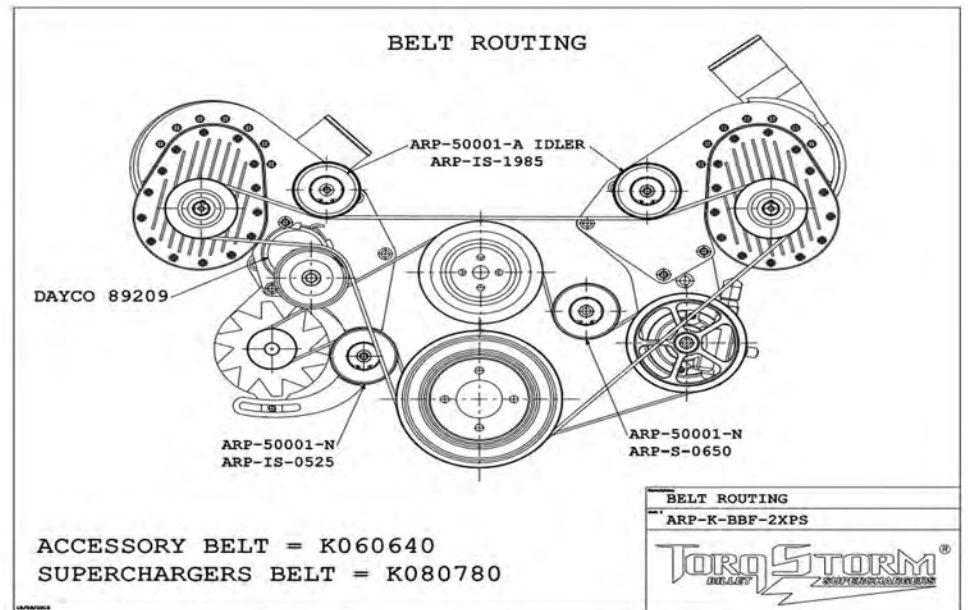
## BBF Twin supercharger kit

### ARP-K-BBF2XPS



## STEP 13

Install accessory belt as shown in diagram. Loosen the alternator adjustment bolt. Pull until belt is tight and **re-tighten bolt to 19 ft. lbs**



## STEP 14

Remove the idler on the pass side bracket. Install supercharger belt. Use the tensioner to loosen tension. Once belt is on and routed like the diagram, re-install the idler. **Torque to 29 ft. lbs**



# Installation Instructions

## BBF Twin supercharger kit

### ARP-K-BBF2XPS



## STEP 15

Now that your superchargers are mounted. It is time to install your air cleaners. Utilizing the 3.5" clamps and 45 degree couplers and tubes, mount the filter in your engine bay to your liking.





## STEP 16

*The kit includes (1) ARP-K-CARB-HAT and (2) 52 mm BOV's as well as the aluminum weld in bungs. Connect them both to a vacuum source from the intake below the carb blades.*



# *Installation Instructions*

## *BBF Twin supercharger kit*

### *ARP-K-BBF2XPS*



- *Replace all spark plugs with one or two heat ranges cooler.*
- *Fuel/ Ignition managment system must be tuned when installing Torqstorm Supercharger.*
- *Reconnect battery*
- *Double check all fittings, bolts, clamps. Make sure all wires and lines are properly secured with clamps or wire ties .*
- *Make sure fuel tank is filled with 91 octane or higher fuel.*
- *Start engine and allow to idle a few minutes then shut down.*
- *Recheck to be sure that no hoses, wires, ect are near the exhaust, headers, or supercharger components.*
- *Recheck tune before commencing test drive.*
- *After test drive examine all bolts, belts and check for leaks or running issues before finishing with the vehicle.*
- *Change your oil in the S/C every 10k miles or once a year. Failure to run Torqstorm approved oil will void warranty.   Order direct from Torqstorm Part NO ARP-OIL-MTL*
- *Fill out warranty card and send it in 30 days from arrival of supercharger to qualify.*

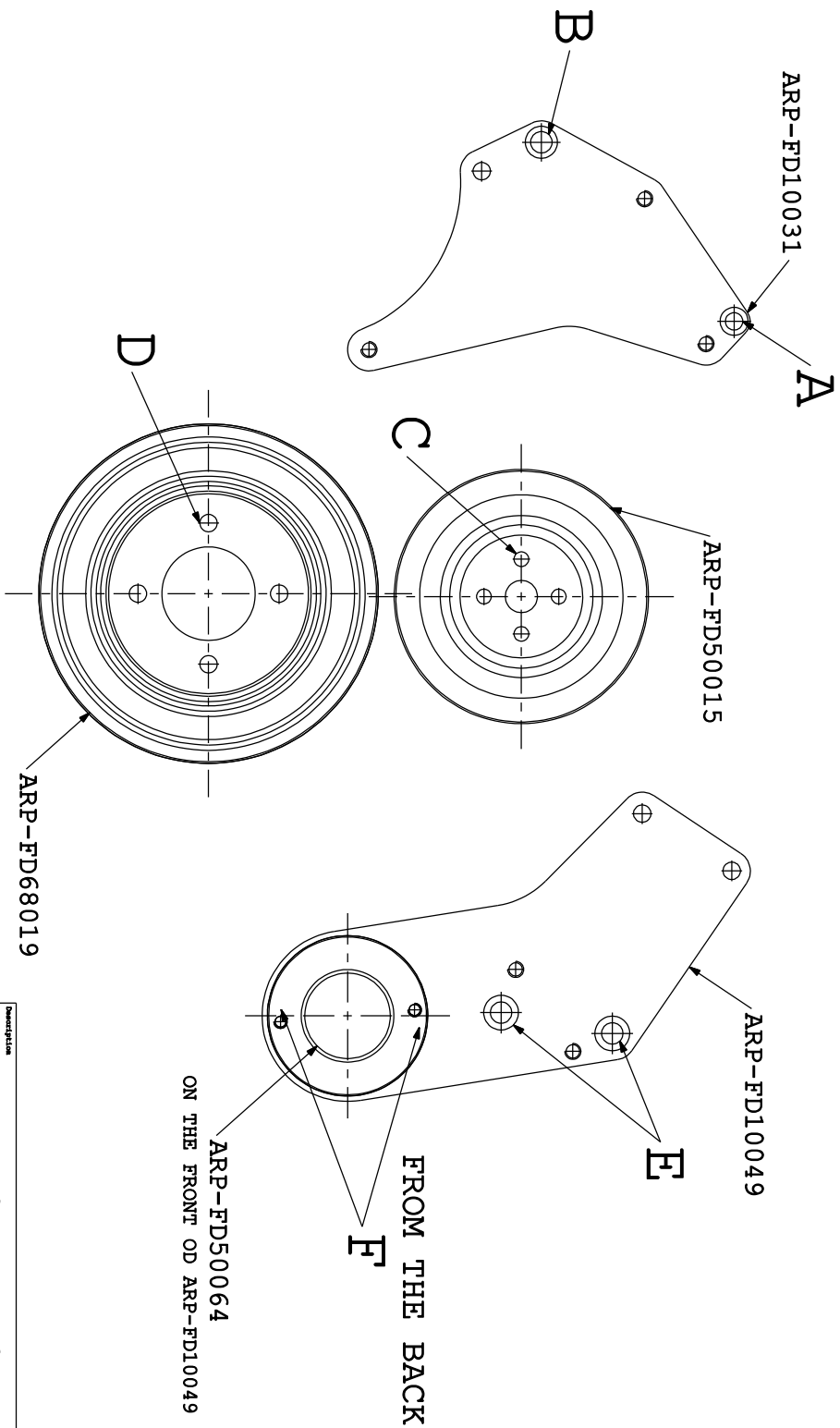
*Failure to do so may affect your limited lifetime warranty.*



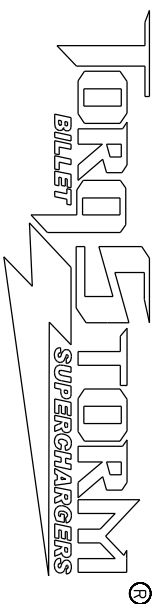
## *Additional information for Boost*

- *It is suggested to run a wideband o2 sensor to monitor correct air/fuel ratio. 11.5 is ideal for 91 octane or higher pump gas.*
- *PLEASE TAKE SPECIAL NOTE: Operating the vehicle without all the sub assemblies completed and properly installed and working may cause FAILURE OF MAJOR ENGINE COMPONENTS.*
- *If you have any questions or concerns contact us at [sales@torqstorm.com](mailto:sales@torqstorm.com)*
- *Torqstorm superchargers come from the factory filled with 6 oz of ARP-OIL-MTL*
- *Supercharger is ready to run*

# HEAD BRACKET LAYOUT

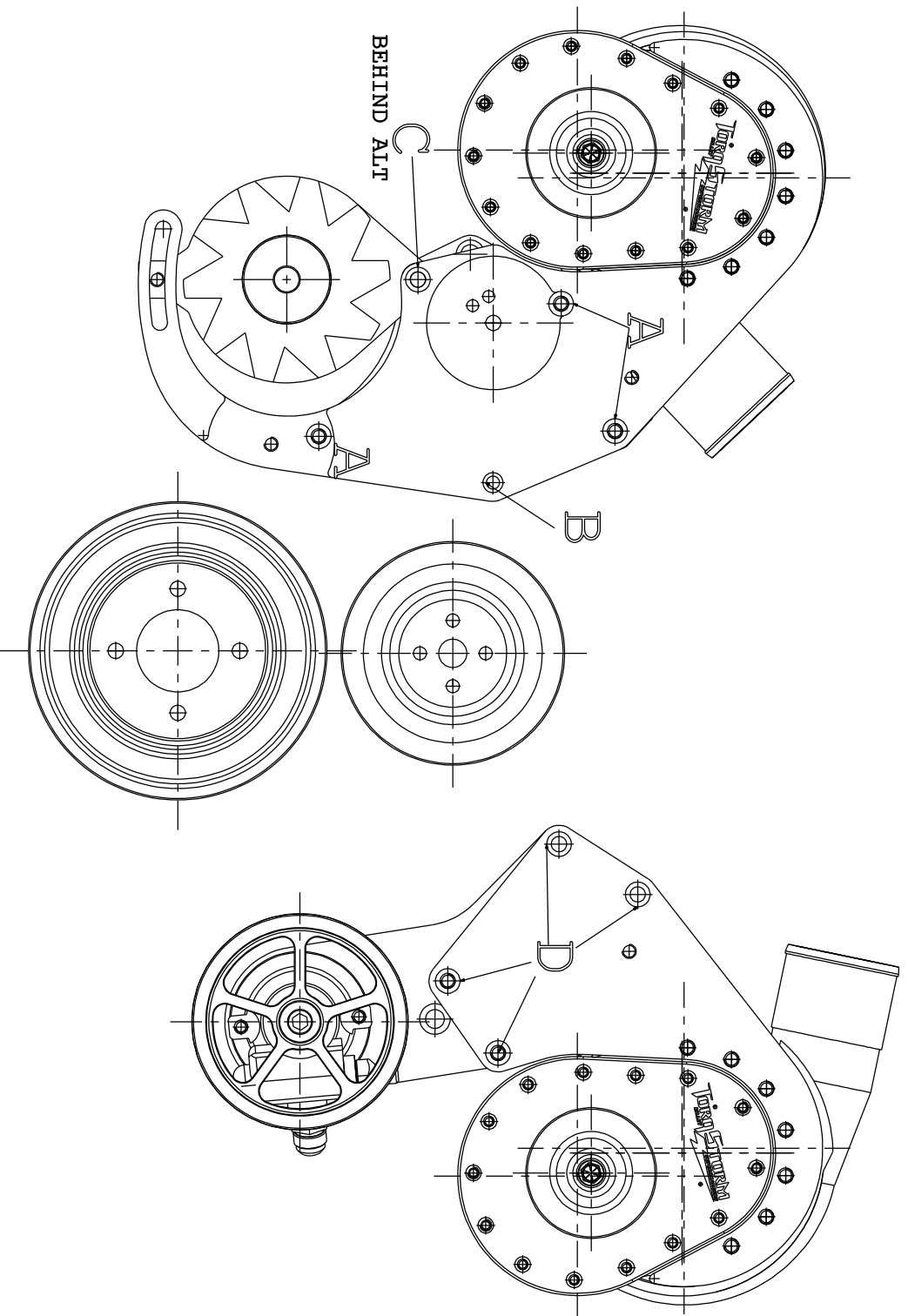


Quantity	Description
1	HEAD BRACKET LAYOUT
1	ARP-K-BBF-2XPS



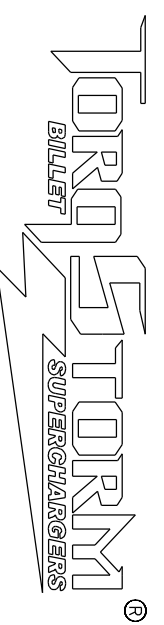


# SPACER LAYOUT

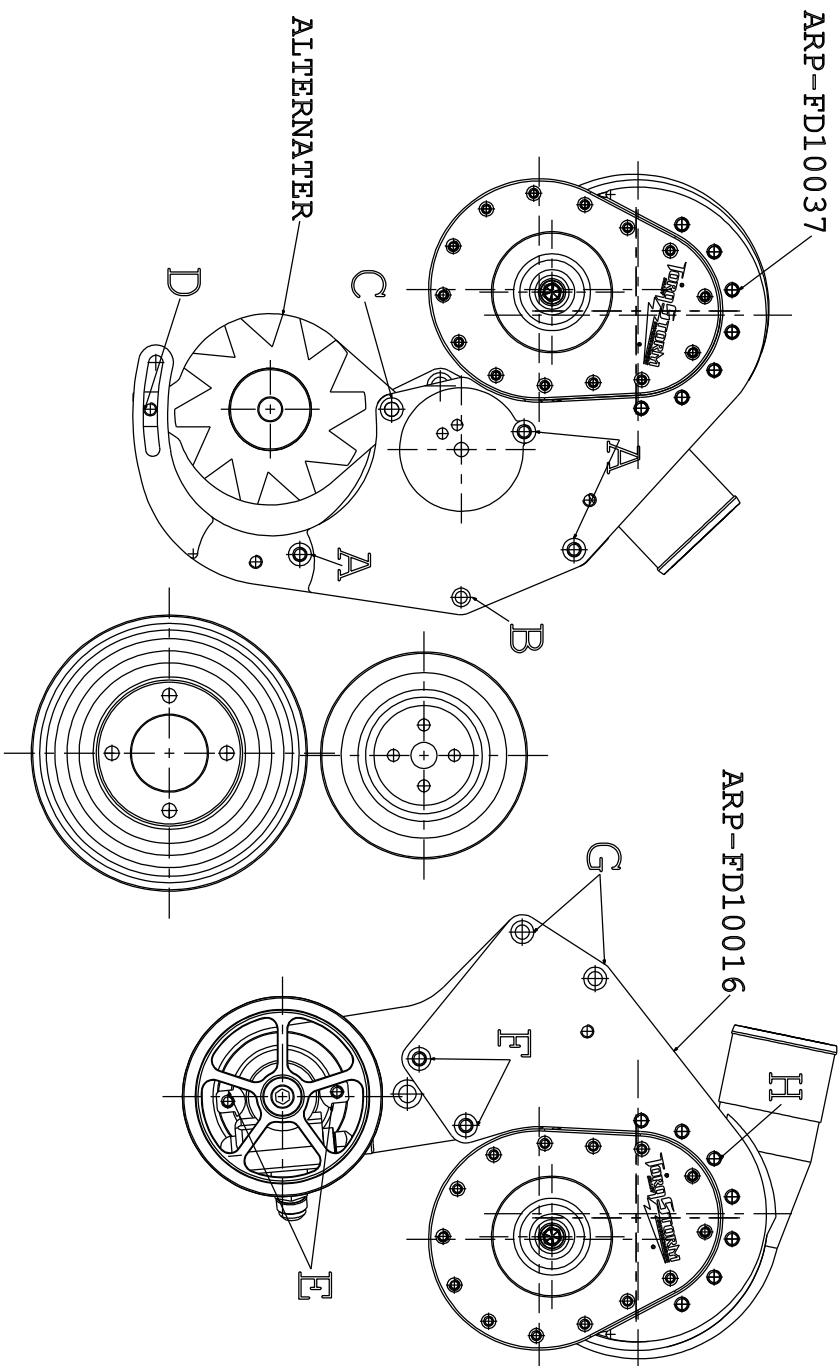


- A = 3 @ ARP-S-100-4285
- B = 1 @ ARP-S-100-1685
- C = 1 @ ARP-S-750-1370
- D = 4 @ ARP-S-100-5275

Manufacture  
**SPACER LAYOUT**  
 Part # ARP-K-BBF-2XPS



# SUPERCHARGER BRACKET LAYOUT

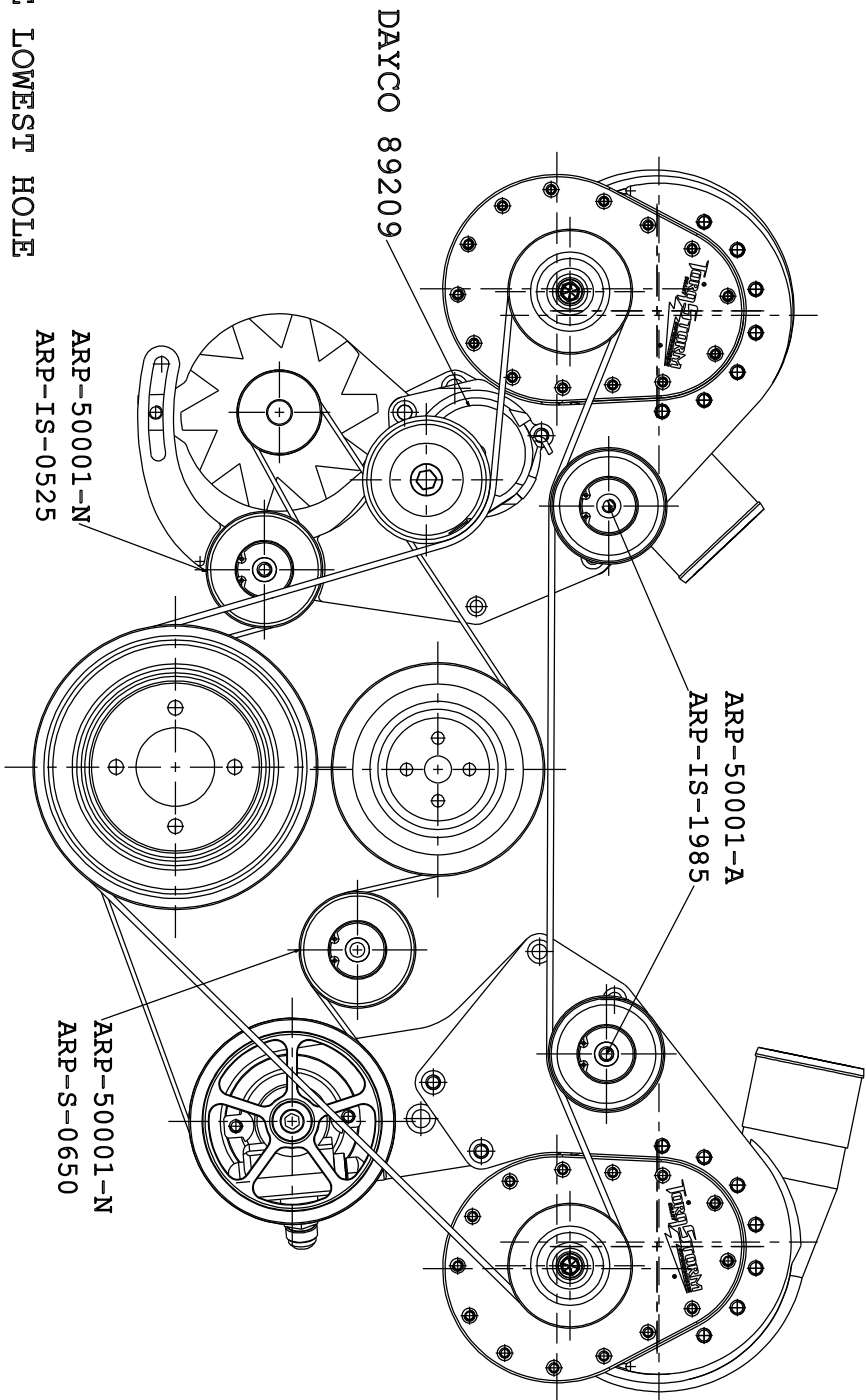


- A = 3 @ 3/8-16 x 5-1/4 SS SHCS
- B = 1 @ 3/8-16 x 2.0 SS SHCS
- C = 1 @ 3/8-16 x 6.0 SS SHCS
- D = 1 @ 3/8-16 x 1-1/2 SS SHCS
- E = 2 @ 5/16-18 x 2-3/4 SS SHCS
- F = 3 @ 3/8-16 x 6-1/4 SS SHCS
- G = 2 @ 3/8-16 x 7.0 SS SHCS
- H = 14 @ 3/8-16 x 1-1/4 SS SHCS

<small>Manufacture</small> <b>SUPERCHARGER BRACKET LAYOUT</b>
<small>Part #</small> <b>ARP-K-BBF-2XPS</b>



# BELT ROUTING



ALL BELTS USE LOWEST HOLE  
IN TENSIONER POCKET

3. 100<sup>00</sup> PULLEYS USE DAYCO 5080785  
GATES K080785

3-1/4<sup>00</sup> PULLEYS USE DAYCO 5080785  
GATES K080785

3. 500<sup>00</sup> PULLEYS USE DAYCO 5080795  
GATES K080797

4. 0<sup>00</sup> PULLEYS USE DAYCO 5080810  
GATES K080810

ACCESSORY BELT = GATES K060640  
DAYCO 5060640

Manufacture  
PART #  
BELT ROUTING

ARP-K-BBF-2XPS

