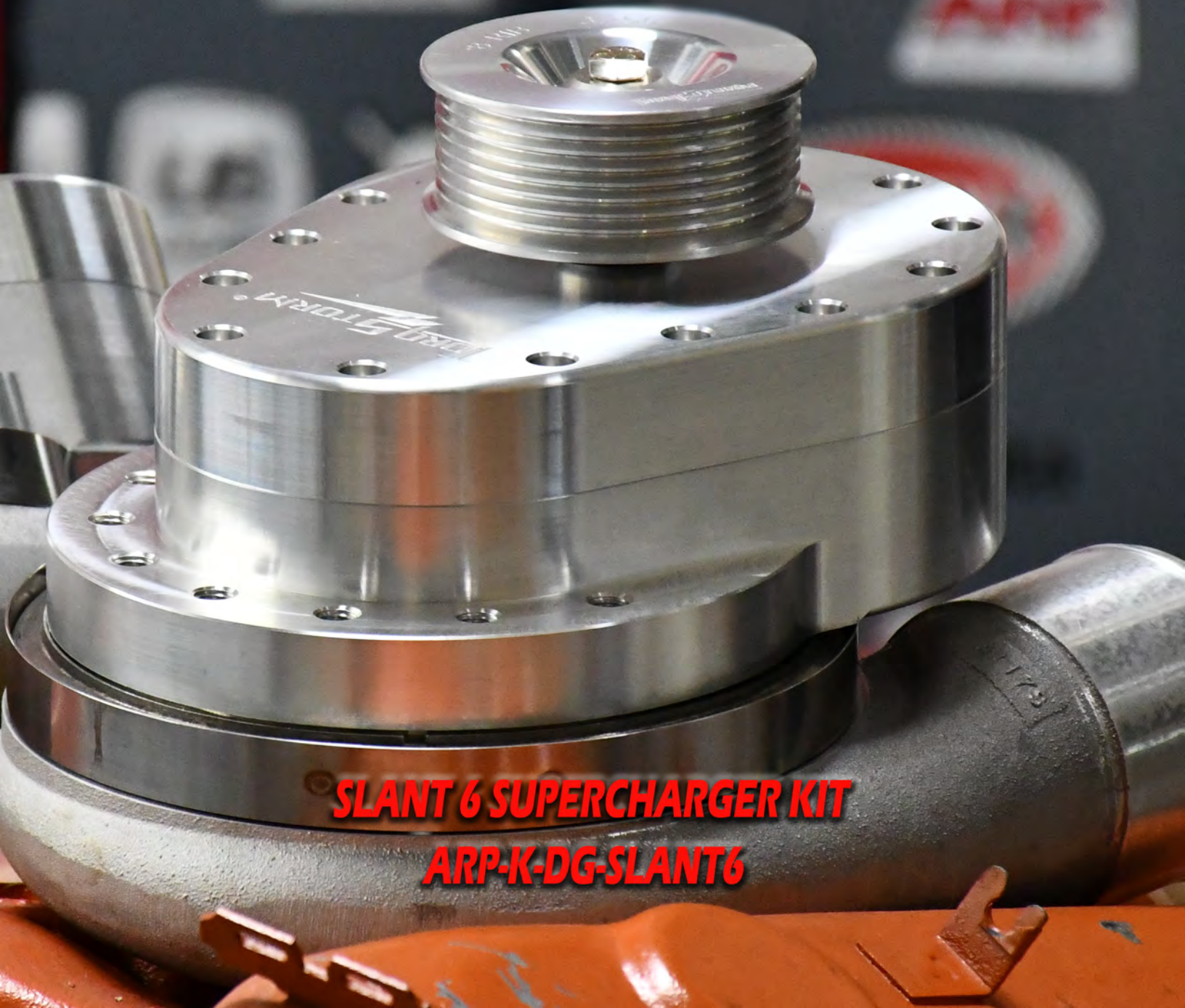


TORQ STORM[®]

BILLET SUPERCHARGERS



SLANT 6 SUPERCHARGER KIT
ARP-K-DG-SLANT6

Installation Instructions

SLANT 6 SUPERCHARGER KIT

ARP-K-DG-SLANT6



STEP 1

Disconnect battery.

Mount the supercharger bracket
ARP-DG10019 to the water pump
using spacer ARP-DG10020 and
(3) 3/8-16 x 2" shcs

Torque to 29 ft lbs



STEP 2

Install the supercharger to the bracket using
(7) 3/8-16 x 1.25" shcs with an washers.

Torque to 29 ft lbs

***You may have to adjust the supercharger
scroll/vband clamp to allow proper alignment of
supercharger tubing to carb hat. Do not
over tighten clamp. 75in/lb*



Installation Instructions

SLANT 6 SUPERCHARGER KIT

ARP-K-DG-SLANT6



STEP 3

Mount the crank pulley ARP-DG68040
using (3) 3/8-16 x 1" ss shcs

Torque to 29 ft lbs



STEP 4

Install the waterpump pulley back on
using factory hardware and torque to
factory spec. Then install accessory belt.



STEP 5

Mount the supercharger belt. Rotate the
tensioner clockwise while sliding the belt
under the tensioner pulley. Then release.

STEP 6

Install the carb hat with o-ring and supplied nut.

STEP 7

Install the 3" to 3.5" 90 coupler from the supercharger scroll to the carb hat. Trimming may be required depending on your intake.*

Clamp tight, do not over tighten.

Tighten carb hat nut just enough that the hat will not turn.



Installation Instructions

SLANT 6 SUPERCHARGER KIT

ARP-K-DG-SLANT6



STEP 8

Mount the blow off valve to the scroll. Tighten the set screws and lock it in place. Connect with vacuum line to a port in your intake.



STEP 9

Install the 3.5 45 silicon elbow and tube to the back side of the supercharger. Then attach the air filter to the tube.*

Trimming may be required to fit your engine bay.



Installation Instructions

SLANT 6 SUPERCHARGER KIT

ARP-K-DG-SLANT6



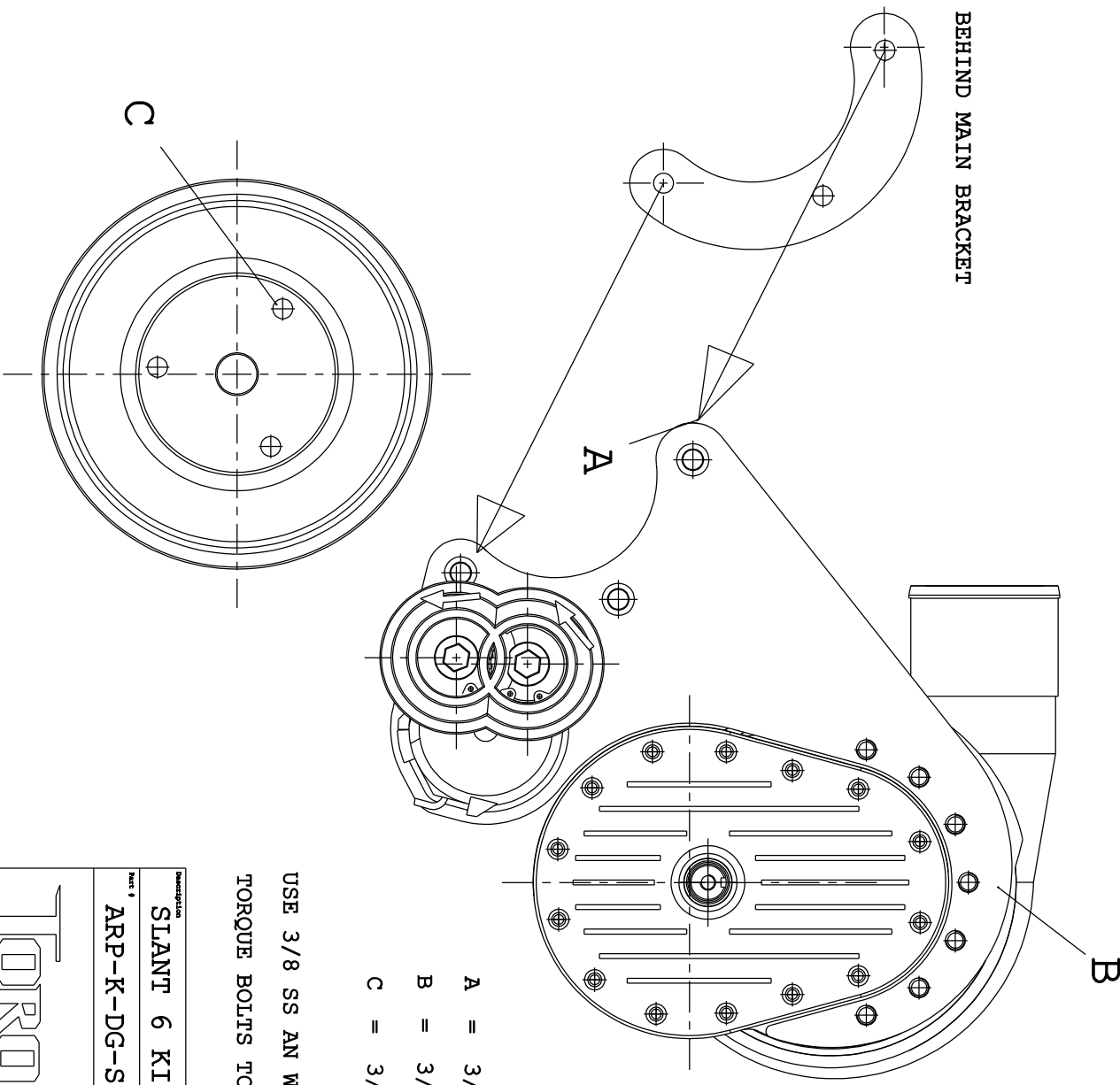
- *Replace all spark plugs with one or two heat ranges cooler.*
 - *Fuel/ Ignition managment system must be tuned when installing Torqstorm Supercharger.*
 - *Reconnect battery*
 - *Double check all fittings, bolts, clamps. Make sure all wires and lines are properly secured with clamps or wire ties .*
 - *Make sure fuel tank is filled with 91 octane or higher fuel.*
 - *Start engine and allow to idle a few minutes then shut down.*
 - *Recheck to be sure that no hoses, wires, ect are near the exhaust or headers.*
 - *Recheck tune before commencing test drive.*
 - *After test drive examine all bolts, belts and check for leaks or running issues before finishing with the vehicle.*
 - *Change your oil in the S/C every 10k miles or once a year. Failure to run Torqstorm approved oil will void warranty. **Order direct from Torqstorm Part NO ARP-OIL-MTL***
 - ***Fill out warranty card and send it in 30 days from arrival of your S/C to qualify.***
- Failure to do so may affect your limited lifetime warranty***



Additional information for Boost

- *It is suggested to run a wideband o2 sensor to monitor correct air/fuel ratio. 11.5 is ideal for 91 octane or higher pump gas.*
- *PLEASE TAKE SPECIAL NOTE: Operating the vehicle without all the sub assemblies completed and properly installed and working may cause FAILURE OF MAJOR ENGINE COMPONENTS.*
- *If you have any questions or concerns contact us at sales@torqstorm.com*
- *Torqstorm superchargers come from the factory filled with 6 oz of ARP-OIL-MTL*
- *Supercharger is ready to run*

INSTALL BEHIND MAIN BRACKET



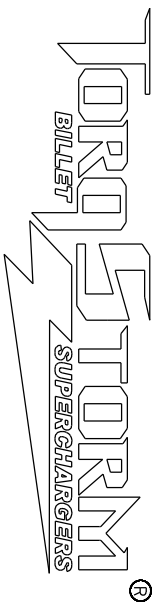
A = 3/8-16 x 2.0 SS SHCS

B = 3/8-16 x 1.250 SS SHCS

C = 3/8-16 x 1.0 SS SHCS

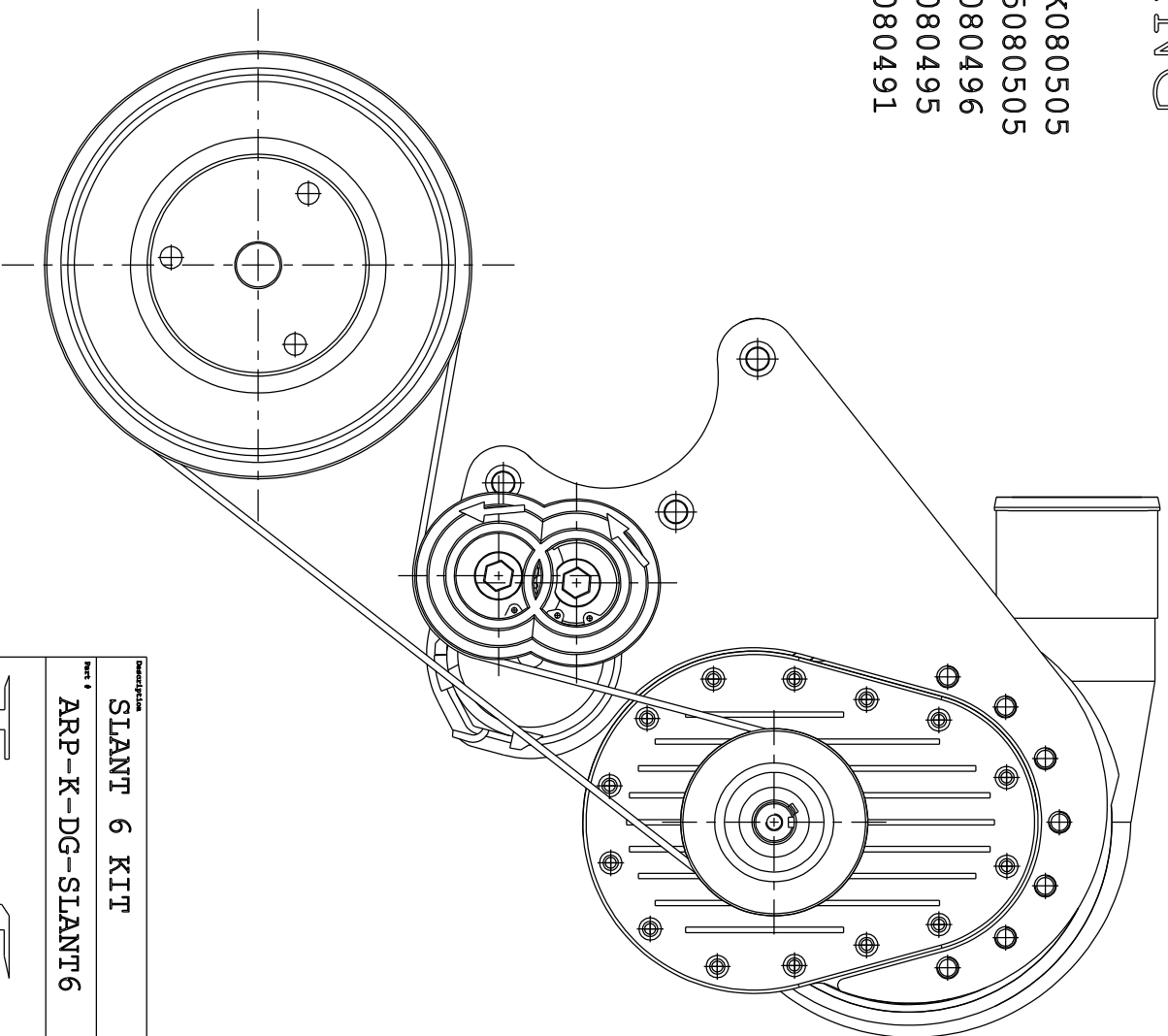
USE 3/8 SS AN WASHERS ON ALL BOLTS
TORQUE BOLTS TO 29 FT/LBS

Manufacturer	SLANT 6 KIT
Part #	ARP-K-DG-SLANT6



BELT ROUTING

4.000" PULLEY = GATES K080505
DAYCO 5080505
3.500" PULLEY = GATES K080496
DAYCO 5080495
3.250" PULLEY = GATES K080491



Manufacture Part
SLANT 6 KIT

Part #
ARP-K-DG-SLANT6

TORO STORM
BILLET SUPERCHARGERS